

XenData X1 Archive Appliance for LTO

Installation and Users Guide



Contents

Notices

1. Introduction

- 1.1. Overview
- 1.2. Logical Drives
- 1.3. Specification

2. Connections

- 2.1. Front
- 2.2. Rear

3. Installation

- 3.1. VESA Mounting (Optional)
- 3.2. Make Connections
- 3.3. Initial System Configuration
- 3.4. Setting Policies for Archiving to LTO
- 3.5. Configuring the XenData Alert Module

4. Power-On and Power-Off Procedures

- 4.1. System Power-On
- 4.2. System Power-Off

Notices

SAFETY & CAUTION INFORMATION



AC Power Adapter: Risk of electric shock, fire, or burn if using an AC adapter other than the one provided with the device. Indoor use only and in dry locations. Device must only be repaired by a professional. Do not open enclosure. The adapter is rated for use between 0 °C and 35 °C (32 °F and 95 °F). Connect only to a properly wired and grounded outlet. 19V, 4.74A, 90W



Risk of explosion if the battery is replaced with an incorrect type. Batteries should be recycled where possible. Disposal of used batteries must be in accordance with local environmental regulations.



Failure to use the included power adapter shall violate regulatory compliance requirements and may expose the user to safety hazards.



Temperature: This device is intended for use in ambient temperatures between 0 °C and 35 °C (32 °F and 95 °F). Avoid using or storing next to heat sources, in direct sunlight, or outside the intended temperature ranges.



Medical: This device may interfere with the operation of some pacemakers, hearing aids or other medical devices. To reduce the risk, maintain a separation distance of 20 cm (8 inches) between the device and the medical device. Refer to the medical device for additional information.



Modify: Modification of the wireless solution, thermal solution, device components or enclosure shall violate regulatory compliance requirements and may induce safety hazards.

Chapter 1. Introduction

1.1 Overview

The X1 Archive Appliance manages one or more LTO external drives and delivers powerful functionality in a small footprint. The LTO drive(s) is connect to the X1 via Thunderbolt 3 or USB 3.1. If your LTO drive has a SAS port, it may be connected to the Thunderbolt port via an adapter.

The appliance runs a Windows 10 Pro operating system and is powered by the LTO Server Edition of XenData Archive Series software, including FS Mirror synchronization software. The unit is optimized for video files and integrates with many applications used in the media and entertainment industry. And the archive accepts all file types – from a Word doc to an MXF video file.

The appliance connects to your network via 1 Gigabit ethernet or wireless. For best performance, ethernet is recommended. The archive volume appears locally as a single logical drive - the X: drive - and there are multiple ways to write to and restore files from it:

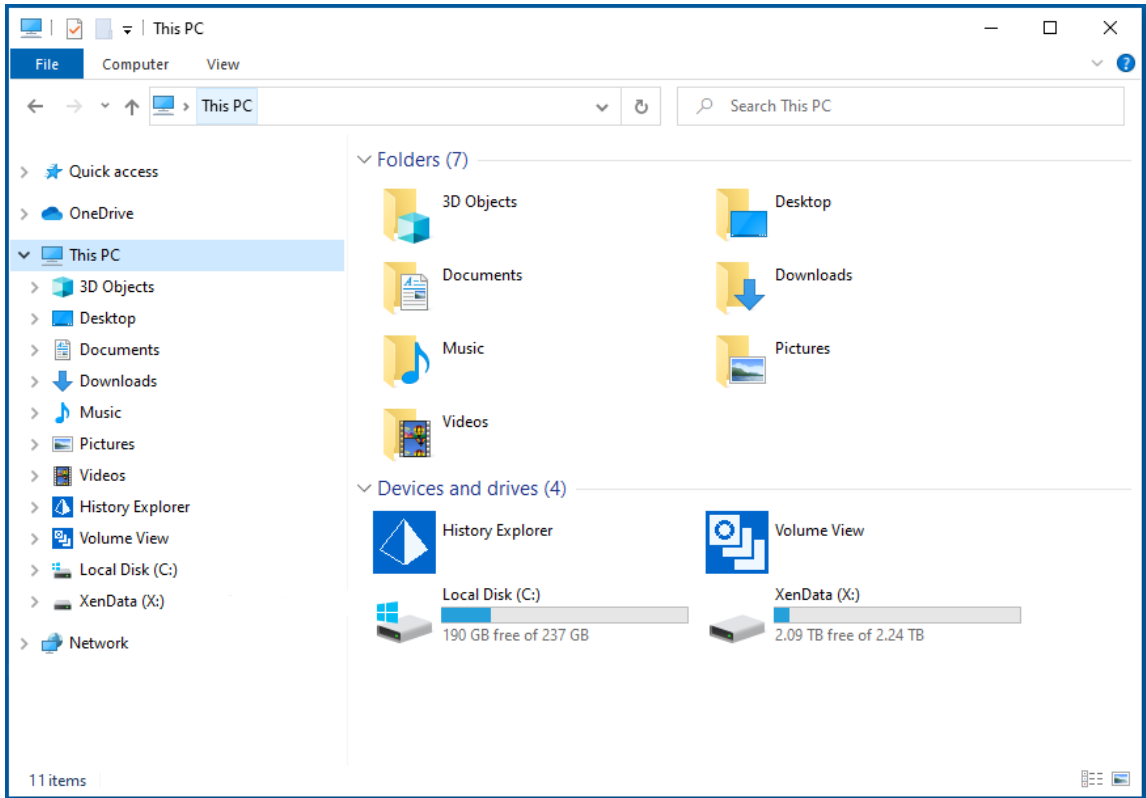
- ❖ Copy or move files locally to and from the X: drive.
- ❖ Share the X: drive over your network and write to it and restore from it like any disk-based share.
- ❖ Use FS Mirror to synchronize one or more locally accessible file systems or file shares to the LTO archive.
- ❖ Use FS Mirror to create archive drop-boxes on your network that automatically move files to the archive.
- ❖ Use third party applications that integrate with XenData's XML API to archive and restore files.

The X1 has an Intel® Quad-Core 8th Generation i5-8259U processor, 16 GB RAM and includes a 1.92 TB managed SSD which is used to enhance archive and restore performance and may also be used to retain selected files on disk.

Please refer to the XenData Archive Series Software User Guide, available on the included USB memory stick, for details on configuring the XenData software.

1.2 X1 Logical Drives

The X1 has two logical drives which are illustrated below.



C: is the Windows 10 system drive.

X: is the LTO archive logical drive. It contains the files held on the 1.92 TB managed disk and all LTO cartridges that the system knows about.

1.3 Specification (Base System)

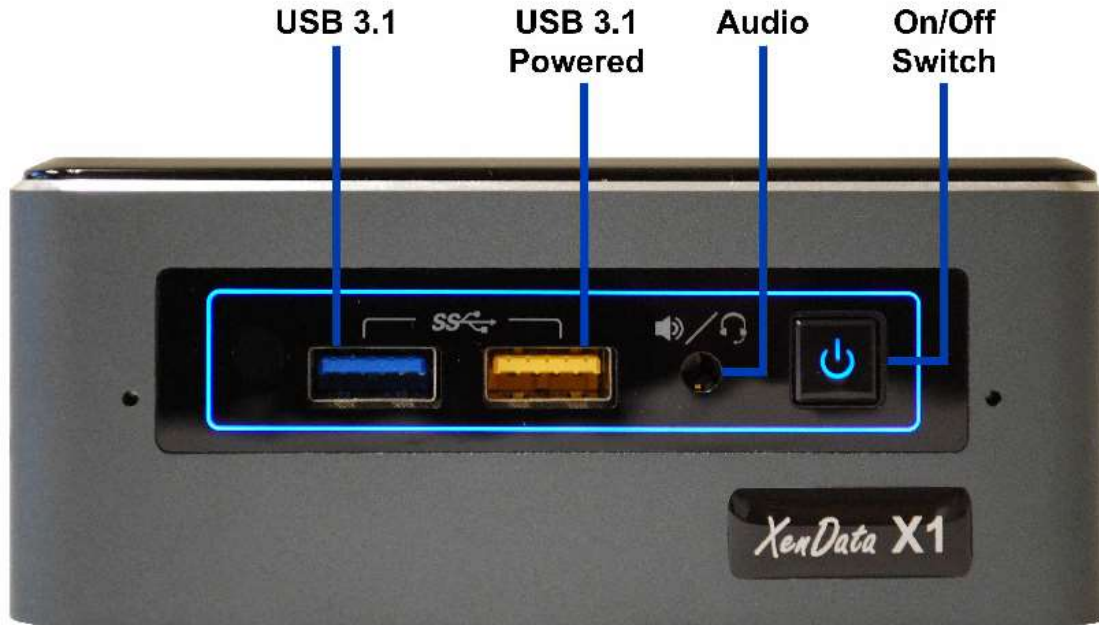
Operating System	Microsoft Windows 10, Professional Edition
Management software:	XenData Archive Series, LTO Server Edition XenData Cloud File Gateway Extension XenData FS Mirror XenData Alert Module
Licensed number of LTO drives:	1 (see notes below)
Licensed number of external LTO cartridges:	unlimited
Licensed Cloud File Gateway Capacity:	1 TB (see notes below)
Processor:	Intel® Quad-Core 8th Generation i5-8259U processor
Graphics:	Iris® Plus Graphics 655
RAM:	16 GB
System disk:	256 GB M.2
Managed archive disk:	1.92 TB high endurance SSD
Network ethernet connection:	1 x RJ45 connector; 1 Gigabit
Network wireless connection:	Intel® Dual Band Wireless-AC 9560
Bluetooth:	Intel Bluetooth 5.0
USB connections:	2 x USB 3.1 including one charging (front mounted) 2 x USB 3.1 (rear mounted)
Thunderbolt connection	1 x Thunderbolt™ 3 USB Type-C port with data transfer up to 40 Gb/s
Display connection:	HDMI 2.0a display port supporting 8 channel audio (7.1 surround sound)
Audio out:	Front panel headphone/microphone jack
Microphone:	Dual-array front microphones
Power:	19V, 90W
Included power brick voltage range:	100 – 240 V AC
Operation temperature:	32 - 95°F (0°C - 35°C)
Dimensions (HxWxD):	2.01" x 4.60" x 4.40" (51 mm x 117 mm x 112 mm)
Weight:	1.5 lbs. (0.68 Kg)

Notes

- ❖ 1 GB = 10⁹ Bytes; 1 TB = 10¹² Bytes
- ❖ Additional LTO drives may be supported by purchase of a license upgrade.
- ❖ The capacity of managed cloud object storage may be upgraded via a license upgrade.
- ❖ For a list of supported LTO drives, please refer to the XenData web site at www.xendata.com.
- ❖ For a list of supported cloud storage providers, please refer to the XenData web site at www.xendata.com.

Chapter 2. Connections

2.1 Front



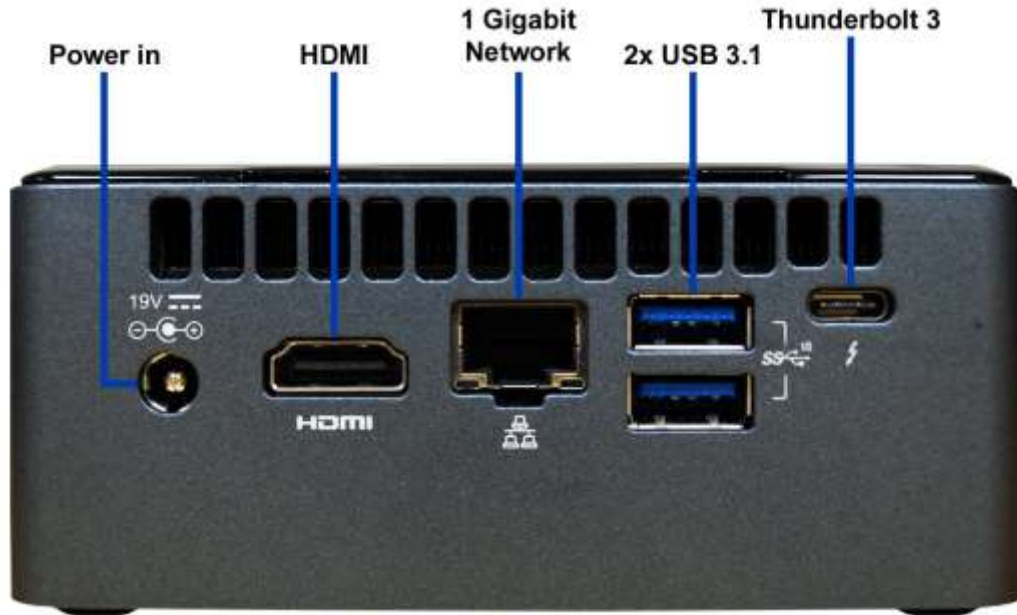
USB 3.1 type-A port.

USB 3.1 Powered type-A port suitable for charging.

Audio headphone / microphone jack.

On/Off Switch which is used to apply or remove power to the appliance. Power-on or power-off by momentarily pressing this button.

2.2 Rear



Power in which connects to the supplied power brick.

HDMI 2.0a display port supporting 8 channel audio (7.1 surround sound)

1 Gigabit Network port with RJ45 connectors

2 x USB 3.1 type-A ports

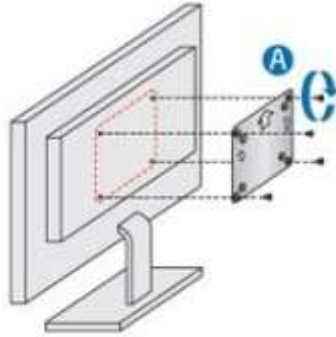
Thunderbolt 3 USB Type-C port with data transfer up to 40 Gb/s

Chapter 3. Installation

3.1 VESA Mounting (Optional)

The X1 may be mounted on the back of a monitor or TV that supports a VESA mount. Follow these instructions to attach and use the VESA bracket included with the X1.

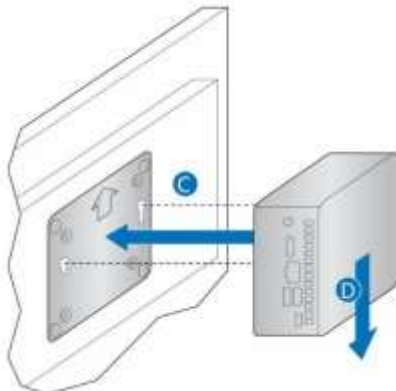
1. Using the four small black screws that were included in the X1 box, attach the VESA bracket to the back of the monitor or TV.



2. Attach the two slightly larger black screws to the bottom chassis cover of the X1.



3. Slide the X1 into the VESA mount.



3.2 Make Connections

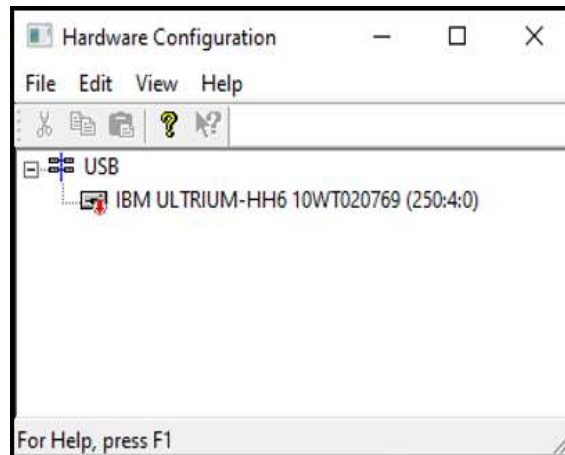
Connect all cables to the X1 including for the following:

- ❖ LTO drive via Thunderbolt or USB
- ❖ Keyboard and mouse
- ❖ HDMI monitor
- ❖ 1 Gigabit network

3.3 Initial System Configuration

The initial system configuration is performed by following the steps described below. If you would like assistance from XenData Support, please contact us at support@xendata.com and schedule a time for assistance. We will ask you to make the connections and power on the system as described above and will then make arrangements with you for remote access to the X1.

1. Connect all cables to the system as described in section 3.2 and then power on the system as described in section 4.1.
2. Logon using the following:
 - ❖ User name: Admin
 - ❖ Password: XDpassword1
3. The next step is to Install device drivers and any customization for your LTO drive. Please refer to www.xendata.com/support/X1/ for details.
4. A XenData hardware configuration utility must now be run. To run, double click on C:\Program Files\XenData\Archive Series\HWConfig. This will launch the hardware configuration utility shown below.



If there is a red marker against the drive, as shown above, right click the drive and enable it.

5. Reboot the X1 and the system is now ready for use.

3.4 Setting Policies for Archiving to LTO

Please refer to the XenData Archive Series Software User Manual.

3.5 Configuring the XenData Alert Module

Please refer to the XenData Archive Series Software User Manual.

Chapter 4. Power-On and Power-Off Procedures

4.1 System Power-On

It is important that the LTO drive is powered on and is ready before the X1 boots. Please follow the procedure described below.

1. Power on the LTO tape drive or drives and wait until they come ready.
2. Power on the X1 using the on/off button.

4.2 System Power Off

For a system with one or more stand-alone LTO tape drives, please follow the procedure described below.

1. If present, unload any cartridges from the LTO drives. This can be performed from the X1 Tiered Storage Management Console or by depressing the eject button on the front of the LTO drive.
2. Power off the X1 using 'Shut down' from the Start menu.
3. Power off the LTO drives.