

XenData X1 Archive Appliance for Cloud

Installation and Users Guide



Contents

Notices

1. Introduction

- 1.1. Overview
- 1.2. Logical Drives
- 1.3. Specification

2. Connections

- 2.1. Front
- 2.2. Rear

3. Installation

- 3.1. VESA Mounting (Optional)
- 3.2. Make Connections
- 3.3. Power-On and Login
- 3.4. Configuring the X1

Notices

SAFETY & CAUTION INFORMATION



AC Power Adapter: Risk of electric shock, fire, or burn if using an AC adapter other than the one provided with the device. Indoor use only and in dry locations. Device must only be repaired by a professional. Do not open enclosure. The adapter is rated for use between 0 °C and 35 °C (32 °F and 95 °F). Connect only to a properly wired and grounded outlet. 19V, 4.74A, 90W



Risk of explosion if the battery is replaced with an incorrect type. Batteries should be recycled where possible. Disposal of used batteries must be in accordance with local environmental regulations.



Failure to use the included power adapter shall violate regulatory compliance requirements and may expose the user to safety hazards.



Temperature: This device is intended for use in ambient temperatures between 0 °C and 35 °C (32 °F and 95 °F). Avoid using or storing next to heat sources, in direct sunlight, or outside the intended temperature ranges.



Medical: This device may interfere with the operation of some pacemakers, hearing aids or other medical devices. To reduce the risk, maintain a separation distance of 20 cm (8 inches) between the device and the medical device. Refer to the medical device for additional information.



Modify: Modification of the wireless solution, thermal solution, device components or enclosure shall violate regulatory compliance requirements and may induce safety hazards.

Chapter 1. Introduction

1.1 Overview

The X1 Archive Appliance manages securely storing files to cloud object storage and delivers powerful functionality in a small footprint. The appliance runs a Windows 10 Pro operating system and is powered by the Cloud File Gateway Edition of XenData Archive Series software, including FS Mirror synchronization software. The unit is optimized for video files and integrates with many applications used in the media and entertainment industry. And the archive accepts all file types – from a Word doc to an MXF video file.

The appliance connects to your network via 1 Gigabit ethernet or wireless. For best performance, ethernet is recommended. The archive volume appears locally as a single logical drive - the X: drive - and there are multiple ways to write to and restore files from it:

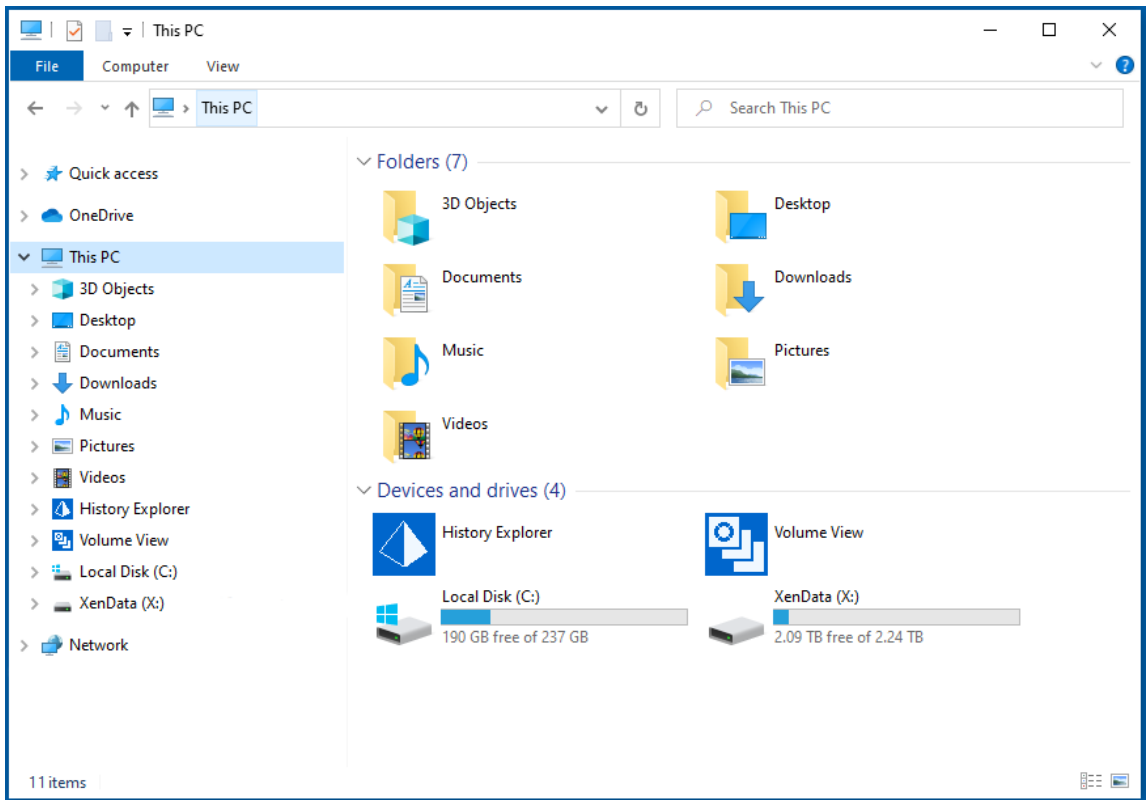
- ❖ Copy or move files locally to and from the X: drive.
- ❖ Share the X: drive over your network and write to it and restore from it like any disk-based share.
- ❖ Use FS Mirror to synchronize one or more locally accessible file systems or file shares to the cloud archive.
- ❖ Use FS Mirror to create archive drop-boxes on your network that automatically move files to the archive.
- ❖ Use third party applications that integrate with XenData's XML API to archive and restore files.

The X1 has an Intel® Quad-Core 8th Generation i5-8259U processor, 16 GB RAM and includes a 1.92 TB managed SSD which is used to enhance archive and restore performance and may also be used to retain selected files on disk.

Please refer to the XenData Cloud File Gateway Software User Guide, available on the included USB memory stick, for details on configuring the XenData software.

1.2 X1 Logical Drives

The X1 has two logical drives which are illustrated below.



C: is the Windows 10 system drive.

X: is the cloud archive logical drive. It contains the files held on the 1.92 TB managed disk and all cloud storage accounts that the system knows about.

1.3 Specification (Base System)

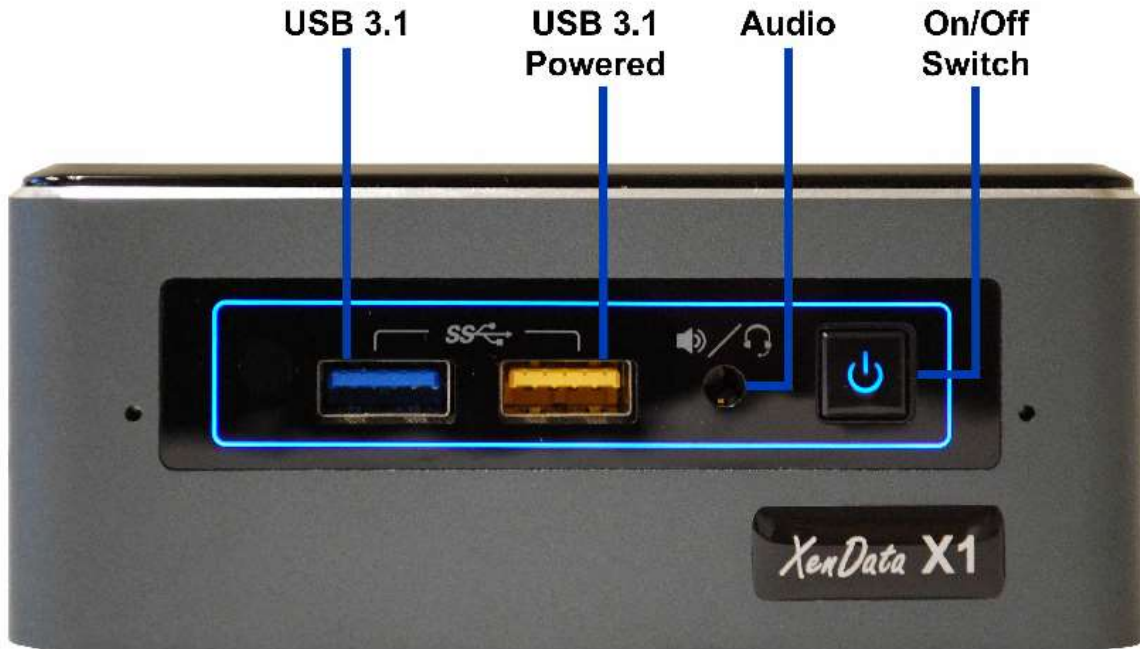
Operating System	Microsoft Windows 10, Professional Edition
Management software:	XenData Cloud File Gateway XenData FS Mirror XenData Alert Module
Included Cloud File Gateway Subscription:	12 months subscription to manage up to 10 TB of cloud object storage (see notes below)
Processor:	Intel® Quad-Core 8th Generation i5-8259U processor
Graphics:	Iris® Plus Graphics 655
RAM:	16 GB
System disk:	256 GB M.2
Managed archive disk:	1.92 TB high endurance SSD
Network ethernet connection:	1 x RJ45 connector; 1 Gigabit
Network wireless connection:	Intel® Dual Band Wireless-AC 9560
Bluetooth:	Intel Bluetooth 5.0
USB connections:	2 x USB 3.1 including one charging (front mounted) 2 x USB 3.1 (rear mounted)
Thunderbolt connection	1 x Thunderbolt™ 3 USB Type-C port with data transfer up to 40 Gb/s
Display connection:	HDMI 2.0a display port supporting 8 channel audio (7.1 surround sound)
Audio out:	Front panel headphone/microphone jack
Microphone:	Dual-array front microphones
Power:	19V, 90W
Included power brick voltage range:	100 – 240 V AC
Operation temperature:	32 - 95°F (0°C - 35°C)
Dimensions (HxWxD):	2.01" x 4.60" x 4.40" (51 mm x 117 mm x 112 mm)
Weight:	1.5 lbs. (0.68 Kg)

Notes

- ❖ 1 GB = 10⁹ Bytes; 1 TB = 10¹² Bytes
- ❖ The capacity of managed cloud object storage may be upgraded via a license upgrade.
- ❖ For a list of supported cloud storage providers, please refer to the XenData web site at www.xendata.com.

Chapter 2. Connections

2.1 Front



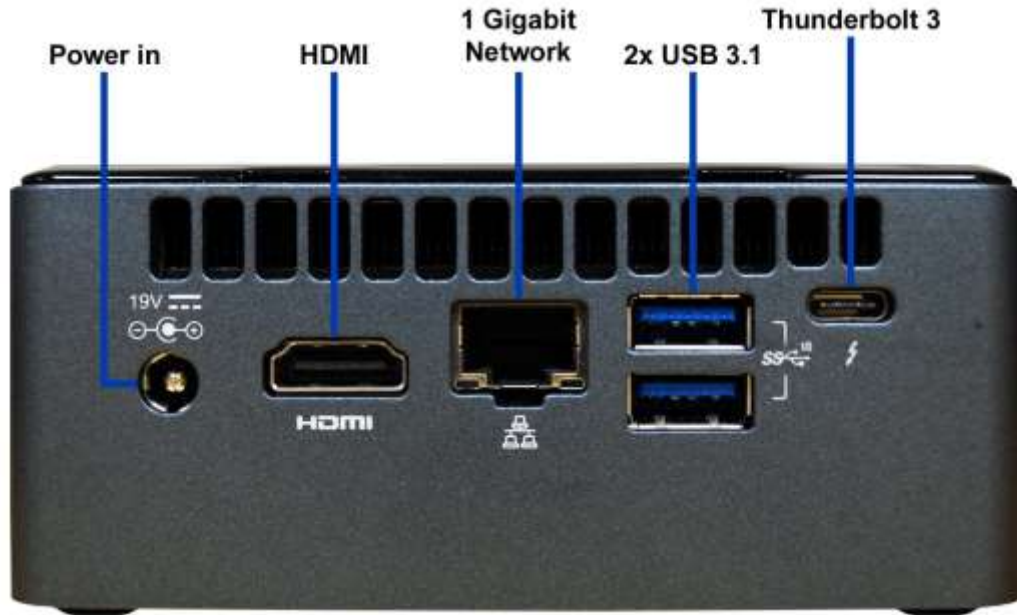
USB 3.1 type-A port.

USB 3.1 Powered type-A port suitable for charging.

Audio headphone / microphone jack.

On/Off Switch which is used to apply or remove power to the appliance. Power-on or power-off by momentarily pressing this button.

2.2 Rear



Power in which connects to the supplied power brick.

HDMI 2.0a display port supporting 8 channel audio (7.1 surround sound)

1 Gigabit Network port with RJ45 connectors

2 x USB 3.1 type-A ports

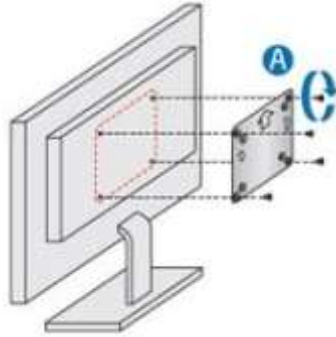
Thunderbolt 3 USB Type-C port with data transfer up to 40 Gb/s

Chapter 3. Installation

3.1 VESA Mounting (Optional)

The X1 may be mounted on the back of a monitor or TV that supports a VESA mount. Follow these instructions to attach and use the VESA bracket included with the X1.

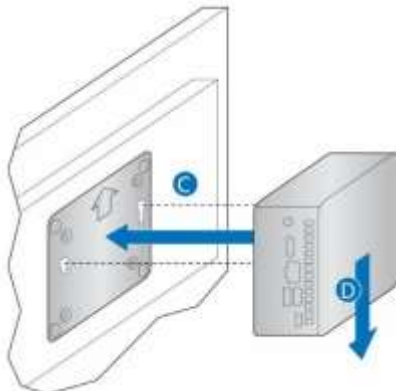
1. Using the four small black screws that were included in the X1 box, attach the VESA bracket to the back of the monitor or TV.



2. Attach the two slightly larger black screws to the bottom chassis cover of the X1.



3. Slide the X1 into the VESA mount.



3.2 Make Connections

Connect all cables to the X1 including for the following:

- ❖ Keyboard and mouse
- ❖ HDMI monitor
- ❖ 1 Gigabit network with an Internet connection

3.3 Power-On and Login

1. Connect all cables to the system as described in section 3.2 and then power on the system.
2. Login using the following:
 - ❖ User name: Admin
 - ❖ Password: XDpassword1
3. The next step is to configure access to your cloud object storage account. Please refer to the XenData Cloud File Gateway User Manual for details. This available on the included USB memory stick.

3.4 Configuring the X1

The system configuration is performed by following the steps described in the XenData Cloud File Gateway User Manual. This describes:

- ❖ Configuring to obtain access to you cloud provider's object storage.
- ❖ Configuring archive policies
- ❖ Configuring the XenData Alert Module

The Cloud File Gateway User Manual is available on the included memory stick.